

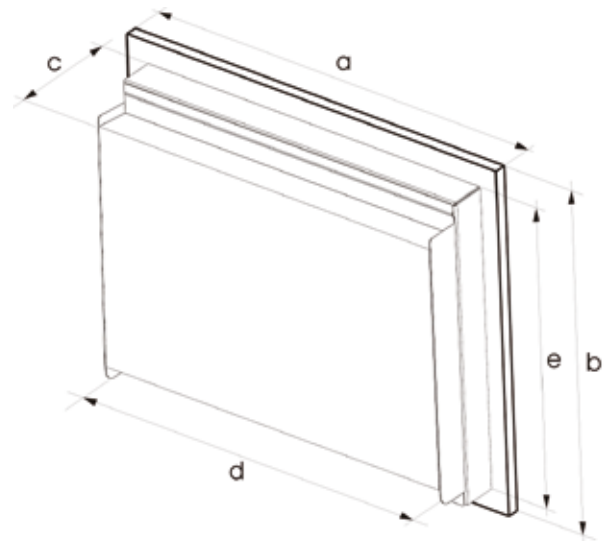
Technical Data

DS 640	
Product Type	Ultracompact smart Panel PC
General characteristics	
Processor	Onboard Intel® Celeron ULV 600 MHz
Chipset	Intel® 852GM + ICH4
Memory	512MB to 1GB DDR SO-DIMM
Expansion slots	PCI/104
Operating systems	Microsoft Windows 2000/XP
Power Supply	90 - 264VAC autorange, fanless 16-46VDC fanless optional
Nominal Power	45 W, efficiency > 76%
Guarantee	24 Months ¹
Drives	
Mass Memory	2,5" HDD at 60 GB (optional DiskOnModule at 512MB,1GB,2GB or 4GB)
Additional Drives	Onboard CF Card Reader
Interfaces	
LAN/Ethernet	onboard
USB	5 x USB 2.0 (4 x external, 1 x internal)
Serial Interface	4 x RS232 (1 x external, 3x internal, 1 configurable as RS232/RS422/RS485)
Parallel Interface	1 x LPT1 connector on board
Keyboard/Mouse	1 x PS/2, signal for mouse and keyboard
Video	1 x VGA port
Multimedia	8 Digital I/O TTL-level internal connector, Realtek ALC655 with AC'97 codec on board
Watchdog Functions	
CPU Temperature	Surveillance onboard
Fan rotation	Surveillance onboard
Ambient Conditions	
Vibration resistance	15G
Shock resistance	50G
EMC	EN 55011, 55022, 500081
Temperature	+5°C to +45°C max.
Relative humidity	5% to 80% at 25°C (no humidity/condense)
Authorization	CE
Mechanical Characteristics	
PC Unit	High-grade steel, EMC proofed

¹ warranty ex works, normally 24 months, fixed at order.
All data refer on print date, errors and changes excepted



Front Unit		
Display diagonal size	8,4"	10,4"
	21,3 cm	26,4 cm
Luminosity [cd/m ²]	500	230
Contrast Ratio	480:1	500:1
Resolution	800 x 600	800 x 600
MTBF backlight	50.000 h	20.000 h
Input	Resistive Touchscreen, 6-wire technology	
Touchcontroller	Alternatively USB or RS232	
Front	Alloy anodised, chemical resistant polyester foil	
Rating	IP65 according EN 60529	
Dimensions [mm]		
a:	250	300
b:	200	230
c:	90	
d:	232	282
e:	185	212
Weight	ca. 3,5 kg	ca. 4 kg



Highlights

- INTEL® ULV processor
- Ultra compact dimensions
- Low mounting depth
- Low power requirements
- RS 485/422 optional



DS 640 Configuration

	1	2	3	4	5	6	7	8
Monitor								
21,3 cm 8,4" TFT Display, 800x600 Pixel	1							
26,4 cm 10,4" TFT Display, 800x600 Pixel	2							
Processor								
Intel Celeron ULV 600MHz	1							
Memory								
512 MB			3					
1 GB			4					
Storage								
HDD 2.5" min 60 GB						1		
DiscOnModule 512 MB						3		
DiscOnModule 1 GB						4		
DiscOnModule 2 GB						5		
DiscOnModule 4 GB						6		
DiscOnModule 8 GB						7		
Drives								
CFC-Adapter							1	
Power								
110/230 VAC, auto-switch							1	
24 VDC fanless							2	
Front								
DIVUS foil								0
neutral, 1 colors								1
customized ¹								2
Operating system								
Microsoft Windows 2000 Prof. MUI								A
Microsoft Windows XP Prof. MUI								L
No operating System								0

Your order code: **DS 640**



¹ Frontfoil: min. delivery 25 pcs