

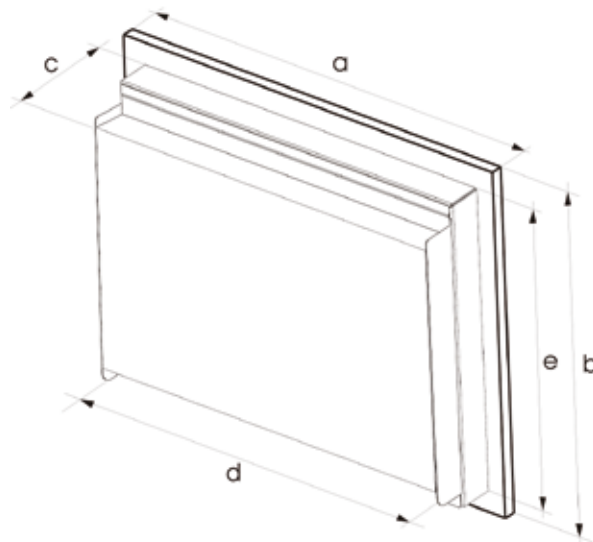
Technical Data

DS 651	
Product Type	Compact Panel PC
General characteristics	
Processor	VIA C7 1GHz fanless
Chipset	VIA CN700 + 8237R plus
Memory	512MB to 1GB DDR2 RAM
Expansion slots	2 PCI-Slots
Operating systems	Microsoft Windows 2000/XP
Power Supply	230VAC with fan optional 230VAC fanless, 24 VDC fan/fanless ¹
Nominal Power	85 W, efficiency > 74%
Guarantee	24 Months ²
Drives	
Mass Memory	2,5" HDD at 60 GB (optional DiskOnModule at 512MB,1GB,2GB or 4GB)
Optical Drives	optional CD-Rom or DVD/CD-RW drive, rear side operation
Additional Drives	Compact Flash reader optional
Interfaces	
LAN/Ethernet	onboard
USB	7 x USB 2.0 (4 x ext,3 x int)
Serial Interface	2 x RS232 (1 x external, 1 x internal)
Parallel Interface	1 x LPT1 (EPP/ECP/SPP)
Keyboard/Mouse	2 x PS/2
Multimedia	6 channel audio (ext)
Other Interfaces	2 SATA ports (int.)
Watchdog Functions	
CPU Temperature	Surveillance onboard
Fan rotation	Surveillance onboard
Ambient Conditions	
Vibration resistance	0,67G (5-500Mhz)
Shock resistance	300G/2ms
EMC	EN 55011, 55022, 500081
Temperature	+5°C to +45°C max.
Relative humidity	5% to 80% at 25°C (no humidity/condense)
Authorization	CE
Mechanical Characteristics	
PC Unit	Powder coated, EMC proofed

¹ 21" version only for 230V, required power + 30W
² warranty ex works, normally 24 months, fixed at order.
 All data refer on print date, errors and changes excepted.



Front Unit					
Display diagonal size	12"	15"	17"	19"	21"
	30,5 cm	38,1 cm	43,2 cm	48,3 cm	54,1 cm
Resolution	800x600	1024x768	1280x1024		1600x1200
Luminosity [cd/m ²]	400	430	300		250
Contrast Ratio	500:1	450:1	700:1	800:1	500:1
MTBF backlight [h]	50.000				
Input	Resistive Touchscreen, 6-wire technology				
Touchcontroller	Alternatively USB or RS232				
Front	Alloy anodised, chemical resistant polyester foil				
Rating	IP65 according EN 60529				
Dimensions [mm]					
a:	400	460	472	540	
b:	310	360	383	440	
c:	115	120		135	
d:	370	429	440	509	
e:	290	337	363	406	
Weight	ca. 10 kg	ca. 12kg	ca. 13kg	ca. 15kg	



Highlights

- 2 PCI slots
- CD/DVD drive available
- Low mounting depth
- Low power requirements
- Via C7 processor



DS 651 Configuration

Monitor

30,5 cm 12" TFT Display, 800x600 Pixel
38,1 cm 15" TFT Display, 1024x768 Pixel
43,2 cm 17" TFT Display, 1280x1024 Pixel
48,3 cm 19" TFT Display, 1280x1024 Pixel
54,1 cm 21" TFT Display, 1600x1200 Pixel

Processor

VIA Tech C7 1 GHz fanless

Memory

512 MB
1 GB

Storage

HDD 2.5" min 60 GB
DiscOnModule 512 MB
DiscOnModule 1 GB
DiscOnModule 2 GB
DiscOnModule 4 GB
DiscOnModule 8 GB

Drives

No drives
CFC-Adapter
CD ROM, slim Drive
COMBO DVD/CD ROM R/W, slim Drive
CD ROM, slim Drive+CFC-Adapter
COMBO DVD/CD ROM R/W, slim Drive + CFC-Adapter

Power

110/230 VAC, auto-switch fan
24 VDC fan
110/230 VAC, auto-switch fanless
24 VDC fanless

Front

DIVUS foil
neutral, 1 colors
customized ¹

Operating system

Microsoft Windows 2000 Prof. MUI
Microsoft Windows XP Prof. MUI
No operating System

1	2	3	4	5	6	7	8
---	---	---	---	---	---	---	---

1							
2							
3							
4							
5							

2							
---	--	--	--	--	--	--	--

		3					
		4					

			1				
			3				
			4				
			5				
			6				
			7				

				0			
				1			
				2			
				3			
				4			
				5			

					1		
					2		
					3		
					4		

						0	
						1	
						2	

							A
							L
							0

Your order code: **DS 651**



¹ Frontfoil: min. delivery 25 pcs

Optional

V₂A Stainless steel front available on 15" and 19" panels