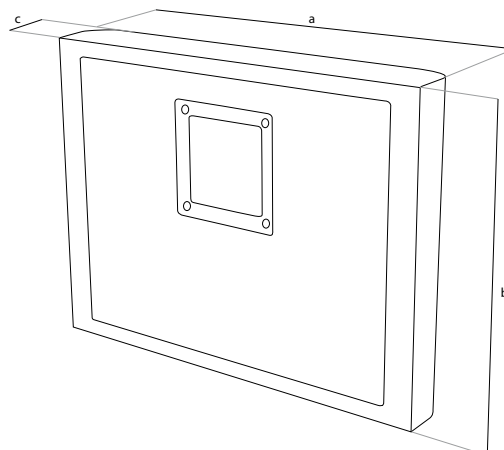


Technical Data

| STEEL Monitor | | |
|---------------------------------|---|-------------|
| Product Type | Embedded Stainless Steel Integrale Monitor - IP 65 all around | |
| Front Unit | | |
| Display diagonal size | 15" LED - 38,1 cm | 48,3 cm 19" |
| Resolution | 1024x768 | 1280x1024 |
| Luminosity [cd/m ²] | 350 | 300 |
| Contrast Ratio | 550:1 | 800:1 |
| MTBF backlight [h] | 50.000 | |
| Input | Resistive Touchscreen, 6-wire technology | |
| Touchcontroller | USB | |
| Rating | IP65 all around according EN 60529 | |
| General characteristics | | |
| Power Supply | 90-264 VAC autorange | |
| | 24VDC optional | |
| Power consumption | 30 W for 15" Display | |
| Guarantee | 24 Months ¹ | |
| Interfaces | | |
| VGA / DVI | Connect with the VGA or DVI-Output of your box PC | |
| Touch | Connect with the USB- or Port of your box PC | |
| Ambient Conditions | | |
| Vibration resistance | 0,67G (5-500Mhz) | |
| Shock resistance | 300G/2ms | |
| EMC | EN 55011, 55022, 500081 | |
| Temperature | +5°C to +45°C max. | |
| Relative humidity | 5% to 80% at 25°C (no humidity/condense) | |
| Authorization | CE | |
| Dimensions [mm] | | |
| a: | 440 | 530 |
| b: | 330 | 424 |
| c: | 65 | 76 |
| Weight | ca. 9 kg | ca. 12 kg |
| Mechanical Characteristics | | |
| PC Unit | Stainless steel V2A | |

¹ warranty ex works, normally 24 months, fixed at order.-
All data refer on print date, errors and changes excepted



Highlights

- Stainless steel housing (V2A)
- Meets food plant hygiene standards
- IP65 around
- Interface pass through using VESA 100 connection
- Ultra LOW power requirements
- Low profile
- DVI and VGA connection



DIVUS STEEL Configuration

| | 1 | 2 | 3 | 4 | 5 | 6 | 7 | 8 |
|--|---|---|---|---|---|---|---|---|
| Monitor | | | | | | | | |
| 38,1 cm 15" TFT Display, 1024x768 Pixel, LED Backlight | | 2 | | | | | | |
| 48,3 cm 19" TFT Display, 1280x1024 Pixel | | 4 | | | | | | |
| Graphic Interface | | | | | | | | |
| VGA and DVI (24+1) dual link | | | | 0 | | | | |
| Devices | | | | | | | | |
| no configuration | | | 0 | 0 | 0 | | | |
| Power | | | | | | | | |
| 110/230 VAC, auto-switch | | | | | | | 1 | |
| 24VDC, option | | | | | | | 2 | |
| Front | | | | | | | | |
| DIVUS | | | | | | | | 0 |
| customized ² | | | | | | | | 2 |
| Operating system | | | | | | | | |
| no configuration | | | | | | | | 0 |

Your order code: **D-STEEL**

² Customization: min. delivery 50 pcs

