

Bracket Std. Screen

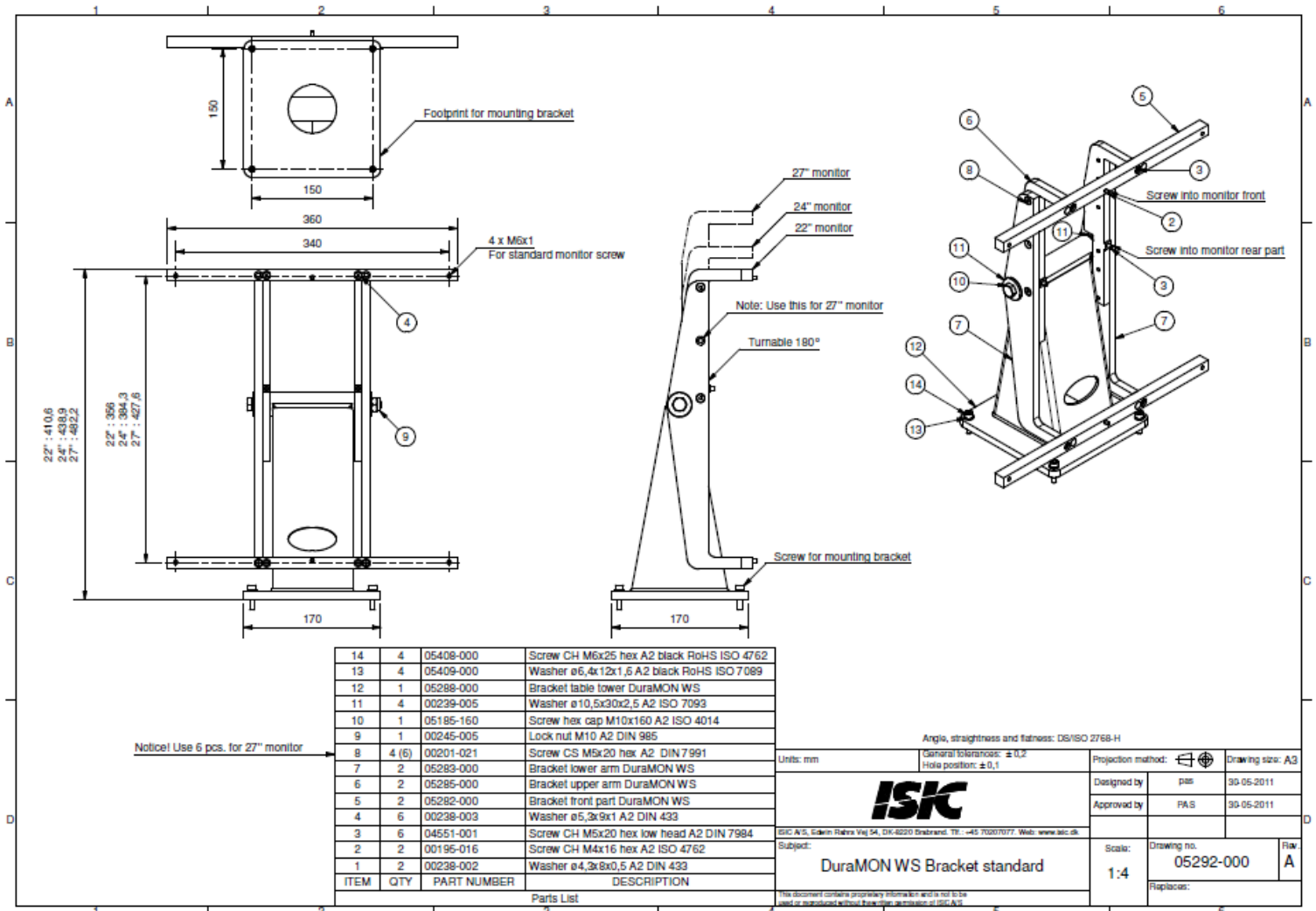
Producer: ISIC A/S



ISIC A/S has developed a mounting bracket, to be applied when desktop- ceiling- or wall-mount is required.

The bracket is designed for use with the DuraMON LED monitor series, for aspect ratio 4:3 and 5:4.

The design is robust yet lightweight and elegant; providing secure and stable fastening of the monitor and maximum flexibility to the user.



Notice! Use 6 pcs. for 27" monitor

14	4	05408-000	Screw CH M6x25 hex A2 black RoHS ISO 4762
13	4	05409-000	Washer ø6,4x12x1,6 A2 black RoHS ISO 7089
12	1	05288-000	Bracket table lower DuraMON WS
11	4	00239-005	Washer ø10,5x30x2,5 A2 ISO 7093
10	1	05185-160	Screw hex cap M10x160 A2 ISO 4014
9	1	00245-005	Lock nut M10 A2 DIN 985
8	4 (6)	00201-021	Screw CS M6x20 hex A2 DIN 7991
7	2	05283-000	Bracket lower arm DuraMON WS
6	2	05285-000	Bracket upper arm DuraMON WS
5	2	05282-000	Bracket front part DuraMON WS
4	6	00238-003	Washer ø5,3x9x1 A2 DIN 433
3	6	04551-001	Screw CH M6x20 hex low head A2 DIN 7984
2	2	00195-016	Screw CH M4x16 hex A2 ISO 4762
1	2	00238-002	Washer ø4,3x8x0,5 A2 DIN 433
ITEM	QTY	PART NUMBER	DESCRIPTION

Parts List

Angle, straightness and fitness: DS/ISO 2768-H

Units: mm	General tolerances: ± 0,2 Hole position: ± 0,1	Projection method:	Drawing size: A3
		Designed by: pss	30-05-2011
		Approved by: PAS	30-05-2011
ISIC A/S, Edin Rørvik Vej 54, DK-6220 Grønbund, Tlf: +45 70207077, Web: www.isic.dk		Scale: 1:4	Drawing no. 05292-000
Subject: DuraMON WS Bracket standard		Replaces:	Rev. A
<small>This document contains proprietary information and is not to be used or reproduced without the prior approval of ISIC A/S.</small>			