

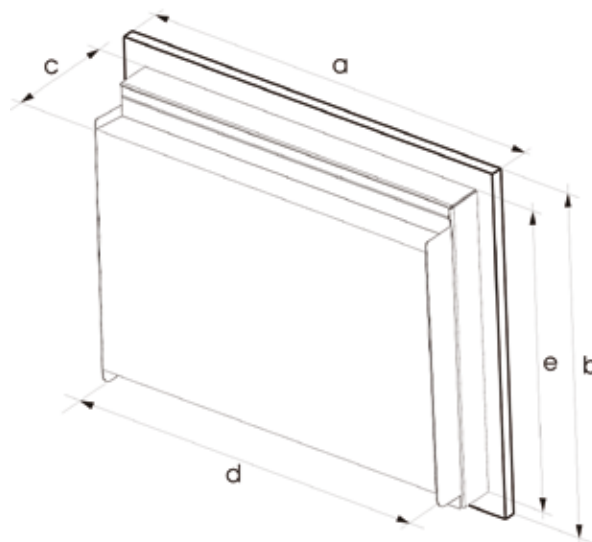
Technical Data

DS 671		
Product Type	Compact Panel PC	
General characteristics		
Processor	- Intel® Celeron M 600MHz ULV fanless	Socket P for Intel® Core™2 Duo fan
	- Intel® Pentium M Dothan, 2 MB L2C 1,6 GHz fan	
Chipset	Intel® 82852GM GMCH + 82801DB ICH4	Intel® GME965 + ICH8M, 533MHz/800MHz FSB
Memory	512MB to 1GB DDR RAM	512MB to 2GB DDR 2 RAM
Expansion slots	2 PCI-Slot	
Operating systems	Microsoft Windows 2000/XP	Microsoft Windows 2000/XP/7
Power Supply	90 - 264 VAC auto range	
	24VDC optional ¹	
Nominal Power	100 W, efficiency up to 88%	
Guarantee	24 Months ²	
Drives		
Mass Memory	2,5" HDD at 60 GB (optional DiskOnModule at 512MB,1GB,2GB or 4GB)	
Optical Drives	optional CD-Rom or DVD/CD-RW drive, rear side operation	
Additional Drives	Compact Flash reader optional	
Interfaces		
LAN/Ethernet	2 x RJ45 for 10/100 Mbps	Dual PCIe GbE controller
USB	5 x USB 2.0 (4 x external, 1 x internal)	
Serial Interface	3 x RS232 (3xext), 1 x RS- 232/422/485 (1xint); 8-bit Digital I/O interface	1 x RS232 (ext), 1 x RS -232/422/485 (int)
Keyboard/Mouse	2 x PS/2	
Display	1 free VGA port (dual display architecture)	
Multimedia	Mic in, Line out	
Watchdog Functions		
CPU Temperature	Surveillance onboard, auto throttling control when CPU overheats	
Fan rotation	Surveillance onboard	
Ambient Conditions		
Vibration resistance	0,67G (5-500Mhz)	
Shock resistance	300G/2ms	
EMC	EN 55011, 55022, 500081	
Temperature	+5°C to +45°C max.	
Relative humidity	5% to 80% at 25°C (no humidity/condense)	
Authorization	CE	
Mechanical Characteristics		
PC Unit	Powder coated, EMC proofed	

¹ 21" version only for 230V, required power + 30W
² warranty ex works, normally 24 months, fixed at order.
 All data refer on print date, errors and changes excepted.



Front Unit					
Display diagonal size	12"	15"	17"	19"	21"
	30,5 cm	38,1 cm	43,2 cm	48,3 cm	54,1 cm
Resolution	800x600	1024x768	1280x1024		1600x1200
Luminosity [cd/m ²]	400	430	300		250
Contrast Ratio	500:1	450:1	700:1	800:1	500:1
	MTBF backlight [h] 50.000				
Input	Resistive Touchscreen, 6-wire technology				
Touchcontroller	USB Touchcontroller				
Front	Alloy anodised, chemical resistant polyester foil				
Rating	IP65 according EN 60529				
Dimensions [mm]					
a:	400	460	472	540	
b:	310	360	383	440	
c:	115	120		135	
d:	370	429	440	509	
e:	290	337	363	406	
Weight	ca. 10 kg	ca. 12kg	ca. 13kg	ca. 15kg	



Highlights

- 2 PCI Slots
- CD/DVD drive available
- Intel® ULV processor, Intel® Pentium M possible Intel® Core possible
- Low mounting depth
- High power efficiency
- High performance
- Dual LAN
- Dual display architecture



DS 671 Configuration

Monitor

30,5 cm 12" TFT Display, 800x600 Pixel
38,1 cm 15" TFT Display, 1024x768 Pixel
43,2 cm 17" TFT Display, 1280x1024 Pixel
48,3 cm 19" TFT Display, 1280x1024 Pixel
54,1 cm 21" TFT Display, 1600x1200 Pixel

Processor

ULV Celeron M ≥600MHz fanless
Pentium M725, 1,6GHz, Dothan fan
Core2Duo socket P fan

Memory

512 MB
1 GB
2 GB ¹

Storage

HDD 2.5" min 60 GB
DiscOnModule 512 MB
DiscOnModule 1 GB
DiscOnModule 2 GB
DiscOnModule 4 GB
DiscOnModule 8 GB

Drives

No drives
CFC-Adapter
CD ROM, slim Drive
COMBO DVD/CD ROM R/W, slim Drive
CD ROM, slim Drive+CFC-Adapter
COMBO DVD/CD ROM R/W, slim Drive + CFC-Adapter

Power

110/230 VAC, auto-switch fanless
24 VDC fanless

Front

DIVUS foil
neutral, 1 colors
customized ²

Operating system

Microsoft Windows 2000 Prof. MUI
Microsoft Windows XP Prof. MUI
Microsoft Windows 7 Prof. English ¹
Microsoft Windows 7 Ult. MUI ¹
No operating System

1	2	3	4	5	6	7	8
---	---	---	---	---	---	---	---

1							
2							
3							
4							
5							

1							
3							
5							

		3					
		4					
		5					

				1			
				3			
				4			
				5			
				6			
				7			

						0	
						1	
						2	
						3	
						4	
						5	

						1	
						2	

							0
							1
							2

							A
							L
							M
							O
							0

Your order code: **DS 671**



¹ Only with core2duo board - ² Frontfoil: min. delivery 25 pcs - ³ With Celeron M CPU

Optional

V₂A Stainless steel front available on 15" and 19" panels